

**24 HR** NEXT DAY  
DESPATCH

✓ **230V**  
POWER INPUT

✓ **ENVIRO**  
VENTILATION

✓ **24V or 230V**  
OUTPUT OPTIONS

✓ **UP TO 5.2A**  
OUTPUT

✓ **UP TO 4 Zone**  
CONTROL

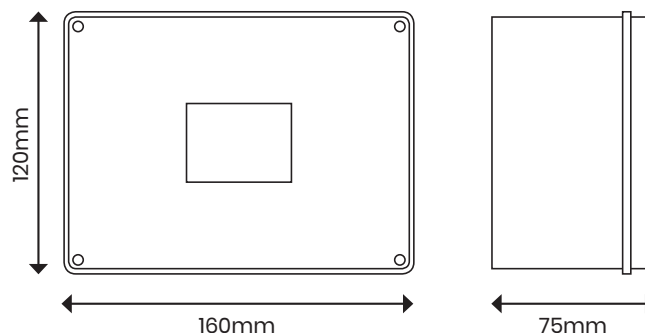
## About This Product

Manufactured by TOPP – the TF24R and TF44R control units feed and control 24Vdc and 230Vac actuators (respectively). Featuring a built-in radio receiver at 433.92 MHz, and preset for RW Wind Sensor and RDC 12Vdc Rain Sensor. Both units are compatible with the TOPP TR8 infra-red Remote Control giving complete ventilation control of up to 4 zones.

## Product Highlights

- Rain Sensor & Wind Sensor Options
- Operation of up to 16 actuators
- Manual switch option

## Dimensions (both models)



## Technical Data

	TF24R Control Unit	TF44R Control Unit
Power Supply Voltage	230Vac	230Vac
Output Voltage	24Vdc	230Vac
Maximum Output Current	1.5 amps	5.2 amps
Max. Number Of Zones	4	4
Protection Class	IP56*	IP56*
Maximum Power Consumption	62 Watts	300 Watts
Maximum Absorbed Current	1.35 amps	1.3 amps
Operating Temperature	-5°C to +50°C	-5°C to +50°C
Service Type	S1 continuous	S1 continuous
Pre-set For	Wind Sensor, Rain Sensor, Push Button	Wind Sensor, Rain Sensor, Push Button

\* In order to maintain manufacturers IP rating, all entry/exit of cabling etc. should be routed/sealed with cable glands

## TOPP Actuator Control Options

	TF24R Control Unit	TF44R Control Unit
TOPP Actuator Model	Number of Actuators	Number of Actuators
TOPP C20	8*	16*
TOPP C20 Tandem	4*	8*
TOPP C30 Tandem	4*	16*
TOPP C40	4*	20*
TOPP C60	2	8*
TOPP ACK5	-	16*
TOPP C130	8*	16*
TOPP C160	2	8*
TOPP C240	4*	8*
TOPP S80	1	4
TOPP T50	1	16*

\*Motors must be equally located on the four feeding unit outputs, which implies a 1-minute delay between 2 consecutive commands

## Product Codes

TF24R 24Vdc Control Panel	CONA-TF2-4/BO-0001
TF44R 230Vac Control Panel	CONA-TF4-4/BO-0001
TR8 8-Channel Remote Control with Wall Mounted Holder	
4-Zone	CXNA-TFS-/FOB-0001
1-Zone	CXNA-TFS-/FOB-0002
TF4 series Wind Sensor (5m cable)	CXNA-TFS-/WIN-0001
TF4 series Rain Sensor (5m Cable)	CXNA-TFS-/RAI-R001
Ventec DS Day Switch	CONA-DAY-SWIT-0006



Regular testing and record-keeping by authorised, responsible persons.



...by "Accredited" and "certified smoke vent engineers only"

\*REFERENCE:  
DAME JUDITH HACKITT REPORT



## Related Products and Services

The following should also be considered when planning your system.



RETRACTIVE  
DAY SWITCH



100 SERIES  
COMPATIBLE



230V TO 24V  
CONVERTOR



400 SERIES  
COMPATIBLE



WEATHER  
STATION



INSTALLATION  
& MAINTENANCE



PROJECT  
COMMISSIONING