

24 HR NEXT DAY
DESPATCH

✓ **SMOKE**
VENTILATION

✓ **ENVIRO**
VENTILATION

✓ **24V**
POWER INPUT

✓ **400 Series**
COMPATIBLE

✓ **500-CB**
COMPATIBLE

✓ **1000-G**
COMPATIBLE

About This Product

The Ventec LAM is an automatic multi-bladed smoke exhaust louvre, designed with the primary function of dispersing smoke and heat from inside buildings to the outside. It comes in two standard sizes providing 1.26m² or 1.8m² GFA (Geometric Free Area) – 1.06m² or 1.53m² Aa (Aerodynamic Free Area), but can be manufactured to deliver up to 9.5m² GFA of natural ventilation. It is fitted with a 24Vdc actuator and is BS EN12101-2 certified.

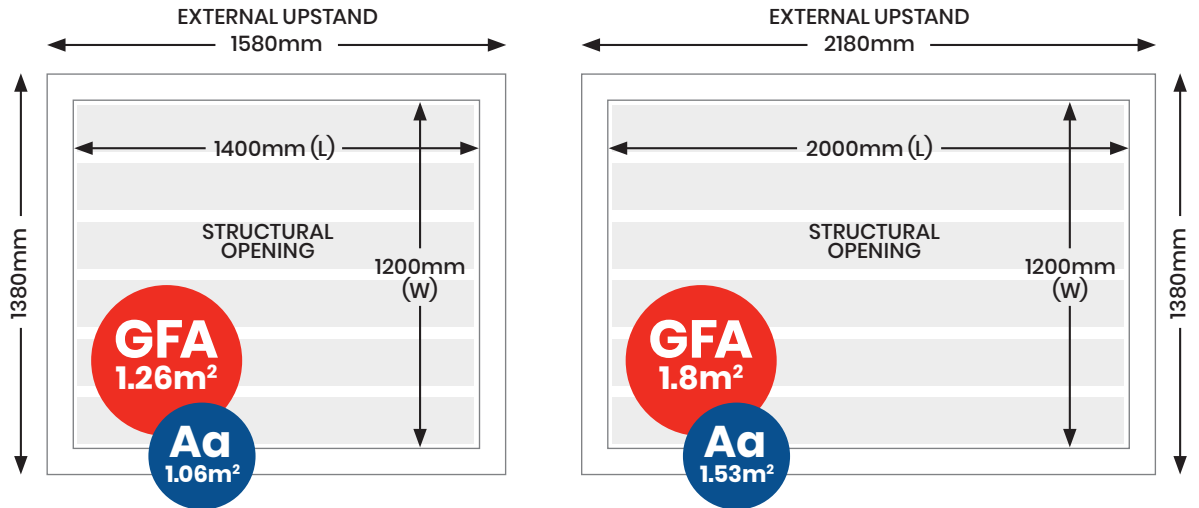
The standard LAM, designed for horizontal mounting (roof), is supplied with an aluminium wind deflector. For vertical mounting (facade) an optional rain shield or structural canopy is recommended.

Each unit is supplied preassembled. Non-standard flange options are available on request enabling installation on various roofing and facade types.

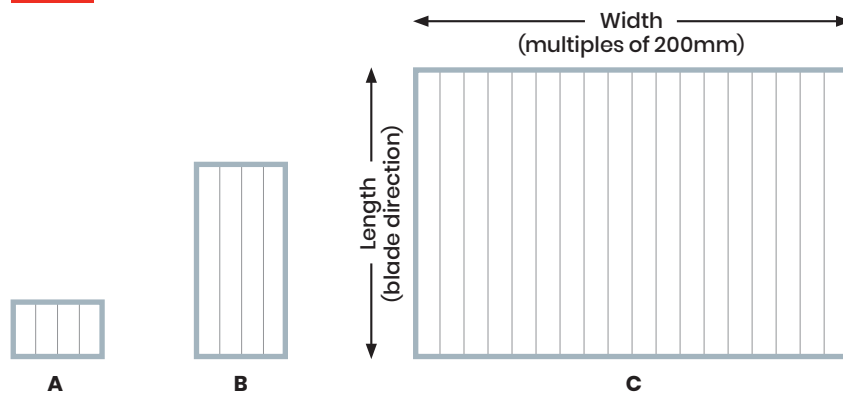
Product Highlights

- Suitable for horizontal to vertical installation – 0° to 90°
- Turn down flange to suit a 150mm high (minimum), 90mm wide all round, finished upstand. Weathering by others
- Different blade material options available
- BS EN12101-2 Certified

Upstand Dimensions (to suit standard sizes)



Nominal Sizes* (available on request)



A	Minimum nominal size	500mm (L) x 800mm (W)
B	Max. length at Min. width	1700mm (L) x 800mm (W)
C	Max. length at Max. width	2200mm (L) x 3800mm (W)

* Non-standard sizes may not be tested to BS EN12101-2 UK Smoke Standards.

Technical Data (standard sizes)

	Ventec LAM 1.26m ² GFA	Ventec LAM 1.8m ² GFA
Structural Opening Dimensions	1200mm (W) x 1400mm (L)	1200mm (W) x 2000mm (L)
Certification	BS EN12101-2	BS EN12101-2
Operating Voltage	24Vdc	24Vdc
Current Consumption	0.8 amps	1.0 amps
Geometric Free Area (GFA)	1.26m ²	1.8m ²
Aerodynamic Free Area (Aa)	1.06m ²	1.53m ²
Number Of Blades	6	6
Snow Load	SL 250	SL 250
Wind Load	WL 1500	WL 1500
Operating Temperature Low	Resistance to -25°C or 0°C	Resistance to -25°C or 0°C
Resistance Temperature High	B300 resistance to 300°	B300 resistance to 300°
Vent Fire Class	E	E
Operational Reliability	Re 300	Re 300
Dual Purpose Reliability	Re 10000	Re 10000
Opening Time	< 60 seconds	< 60 seconds
Base Material	2mm aluminium	2mm aluminium
Base Insulation	20mm mineral wool	20mm mineral wool
Base Height	150mm	150mm
Weight	46kg	71kg
No. Of Cable Cores	2 Core + Earth	2 Core + Earth

Vent Engineering advises that the design, supply, and installation of all electrical wiring be carried out in accordance with current standards.

Blade Options*

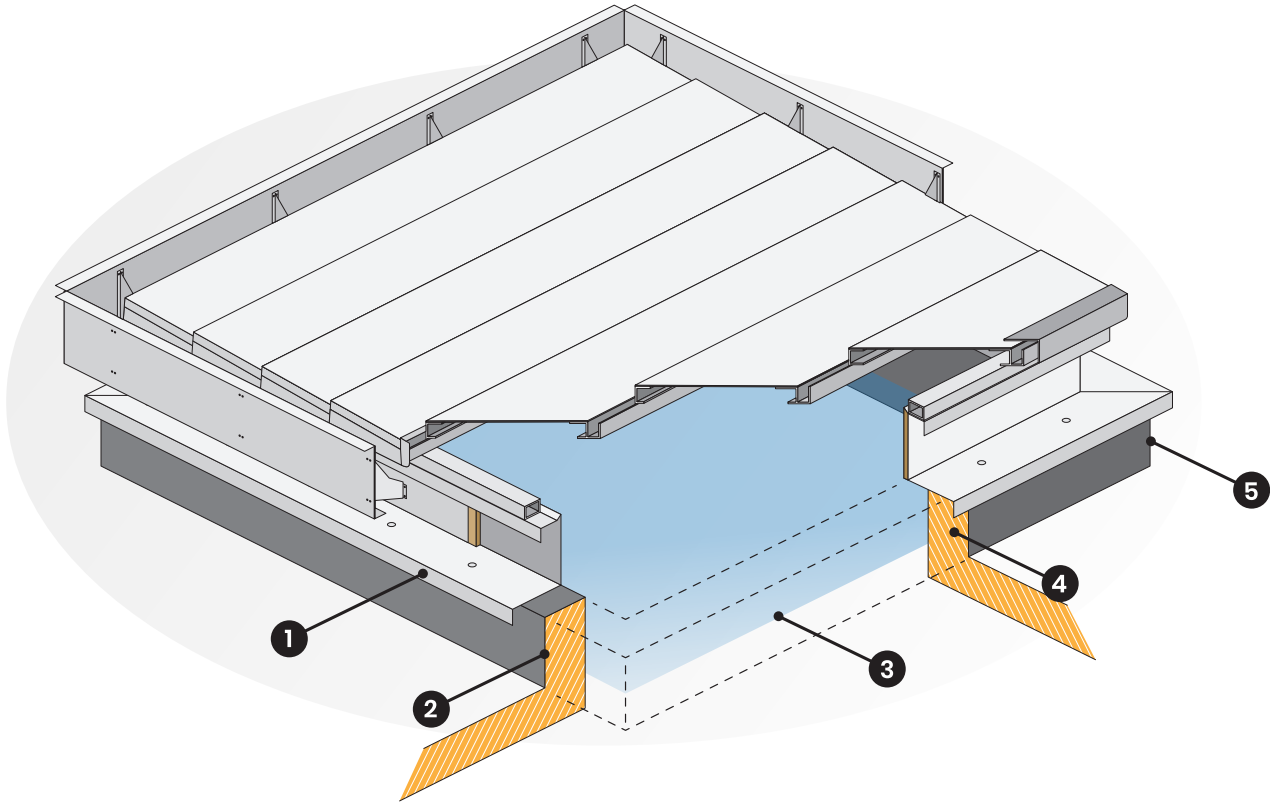
The standard blade material for the Ventec LAM is 1.25mm aluminium.

Non-standard blade options available on request	Standard LAM Widths	Number of Blades
Aluminium + XPS Insulation	800mm	4
Clear Polycarbonate 16mm	1200mm (standard LAM)	6
Opal Polycarbonate 16mm	1600mm	8
Clear Polycarbonate 25mm	2000mm	10
Opal Polycarbonate 25mm	3000mm	15
	3600mm	18

* Blade material may affect technical data stated

Uprand Requirements

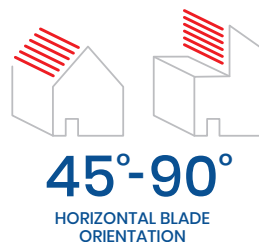
- A 90mm wide all round, weather resistant, finished upstand is required to accommodate the unit.



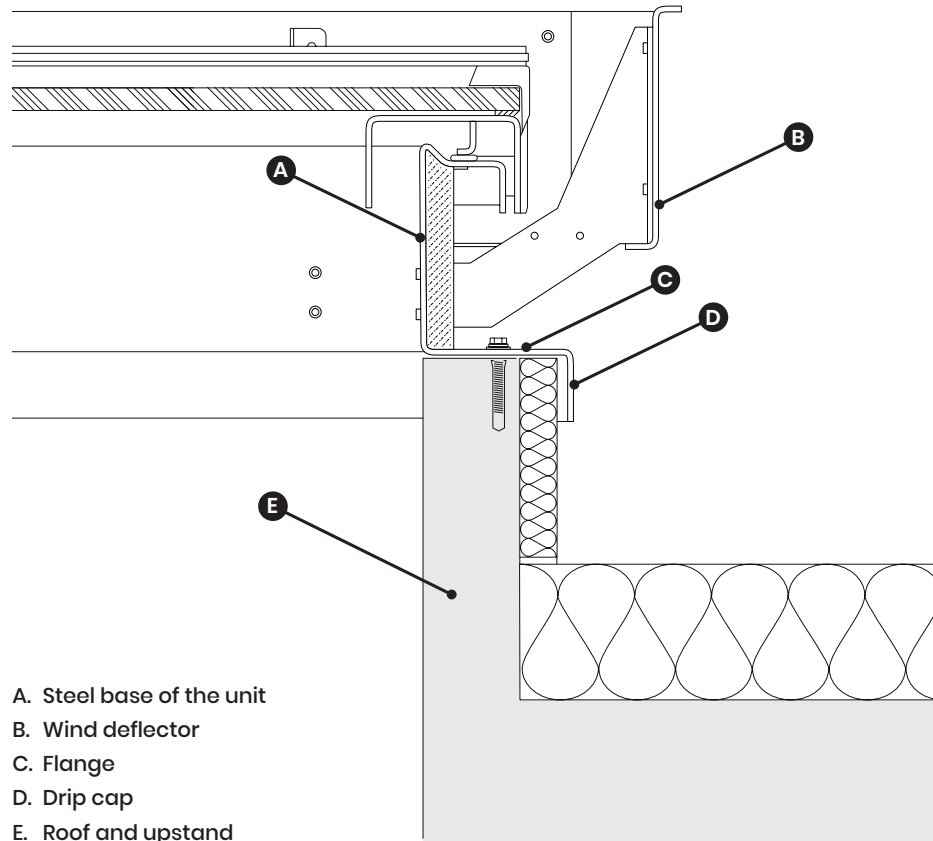
Ventec LAM Standard Sizes	1. Flange Outer	2. External Upstand Size	3. Structural Opening	4. Upstand Width	5. Upstand Height
1.26m ² GFA / 1.06m ² Aa	1400mm x 1600mm	1380mm x 1580mm	1200mm x 1400mm	Maximum 90mm	Minimum 150mm
1.8m ² GFA / 1.53m ² Aa	1400mm x 2200mm	1380mm x 2180mm	1200mm x 1400mm	Maximum 90mm	Minimum 150mm

Blade Orientation

- Angle of installation may affect technical data stated.



Installation (indicative only)

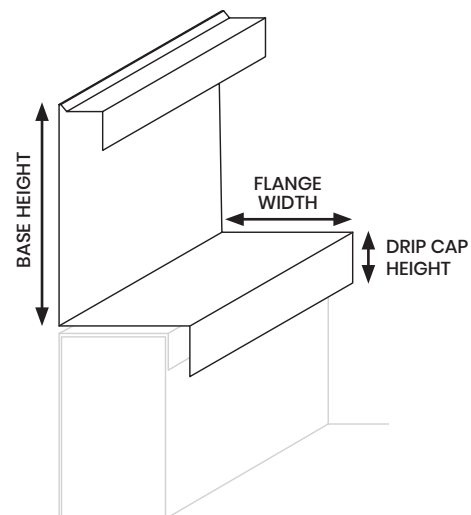


Base & Flange Details (standard sizes)

100mm overlay flange with a 30mm drip cap to be installed on a 150mm high finished upstand.

Custom flange widths are available from 70mm to 320mm.

Non-standard profiles available on request.



Product Codes

Ventec LAM - 1.26m² GFA 1200mm(W) x 1400mm(L) RVME-LOM-SOL-0014
 Ventec LAM - 1.8m² GFA 1200mm(W) x 2000mm(L) Call for details

Alternative sizes, giving up to 9.5m² GFA – available on request
 Vertical LAM option with Rain Shield – available on request



Regular testing
and record-keeping
by authorised,
responsible persons.



...by “Accredited” and
“certified smoke vent
engineers only”

*REFERENCE:
DAME JUDITH HACKITT REPORT



Related Products and Services

The following should also be considered when planning your system.



400 SERIES
BATTERY BACK-UP



VENTEC 500-CB
COMPATIBLE



VENTEC 1000-G
COMPATIBLE



INSTALLATION
& MAINTENANCE



PROJECT
COMMISSIONING