



24 HR NEXT DAY
DESPATCH

✓ **SMOKE**
VENTILATION

✓ **ENVIRO**
VENTILATION

✓ **24V**
POWER INPUT

✓ **400 Series**
COMPATIBLE

✓ **500-CB**
COMPATIBLE

✓ **1000-G**
COMPATIBLE

✓ **UP TO 140°**
OPENING

✓ **0-15°**
ROOF PITCH

About This Product

The Ventec Ostro Access automatic smoke vent is a 140° opening single leaf type, designed with the primary function of dispersing smoke, fumes and heat from inside buildings to the outside. A side positioned 24Vdc actuator allows maintenance access to the roof. The Ventec Ostro Access is ideal for installation in stairwell or corridor applications.

Product Highlights

- Offset 24Vdc actuator allowing rooftop access
- Straight overlay base for ease of installation
- Turn down flange with 50mm drip cap
- Overall U-Value 2.92 W/m²k (standard size)

Compliance

- BS EN12101-2 Certified
- Approved Document L

Standard Product (in stock)

Structural Opening	GFA	Aa	Current
1100mm x 1100mm	1.06m²	0.74m²	1.6 amps

Technical Data (standard size)

	Ventec Ostro Access
Structural Opening Dimensions	1100mm (W) x 1100mm (L)
Maximum Opening Angle	140°
Overall Unit Thermal Transmission	U-Value 2.92 (W/m ² K)
Geometric Free Area	1.06m ²
Aerodynamic Free Area	0.74m ²
Snow Load	SL 250
Wind Load	WL 1500
Operating Temperature Low	Resistance to -25°C
Resistance Temperature High	B 300 resistance to 300°C
Operational Reliability	Re 50
Dual Purpose Reliability	Re 10000
Operating Voltage	24Vdc
Current Consumption	1.6 amps
Opening Time	< 60 seconds
Opening Mechanism Active Area	Approx. 21cm below base
Weight	Approx. 100 kg
No. of Cable Cores	2 Core + Earth

Vent Engineering advises that the design, supply, and installation of all electrical wiring be carried out in accordance with current standards.

Lid Options*

MULTI-CHAMBER POLYCARBONATE	
STANDARD LID – Opal 10mm	Clear 10mm
Opal 20mm	Clear 20mm
Opal 25mm	Clear 25mm
MULTI-CHAMBER POLYCARBONATE (as above) + DOME	
Multi-chamber polycarbonate + single-layer dome in PC or PMMA**	
Multi-chamber polycarbonate + double-layer dome in PC or PMMA	
SANDWICH PANEL	
Aluminium + XPS insulation 20mm + Aluminium	
Aluminium + XPS insulation 40mm + Aluminium	

* Lid options may affect technical data stated

** PC = Solid Polycarbonate, PMMA = Acrylic

Other options available on request

Base Options*

The thermal insulation type and thickness can be adjusted to individual requirements.

Available with wind deflector and inlet deflector (non-standard).

STANDARD BASE INSULATION – 30mm PIR Panel

insulation options: Up to 40mm mineral wool or PIR Panel

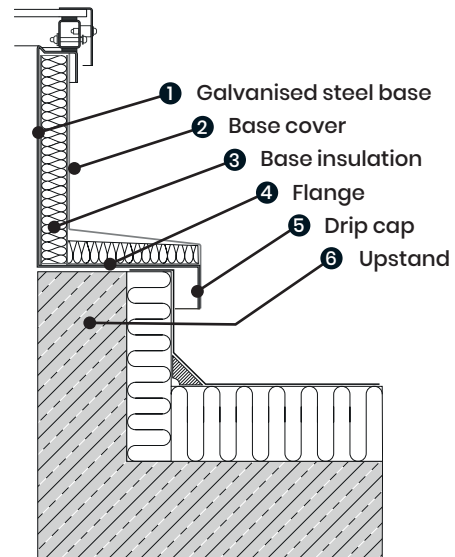
STANDARD BASE FINISH – Unpainted

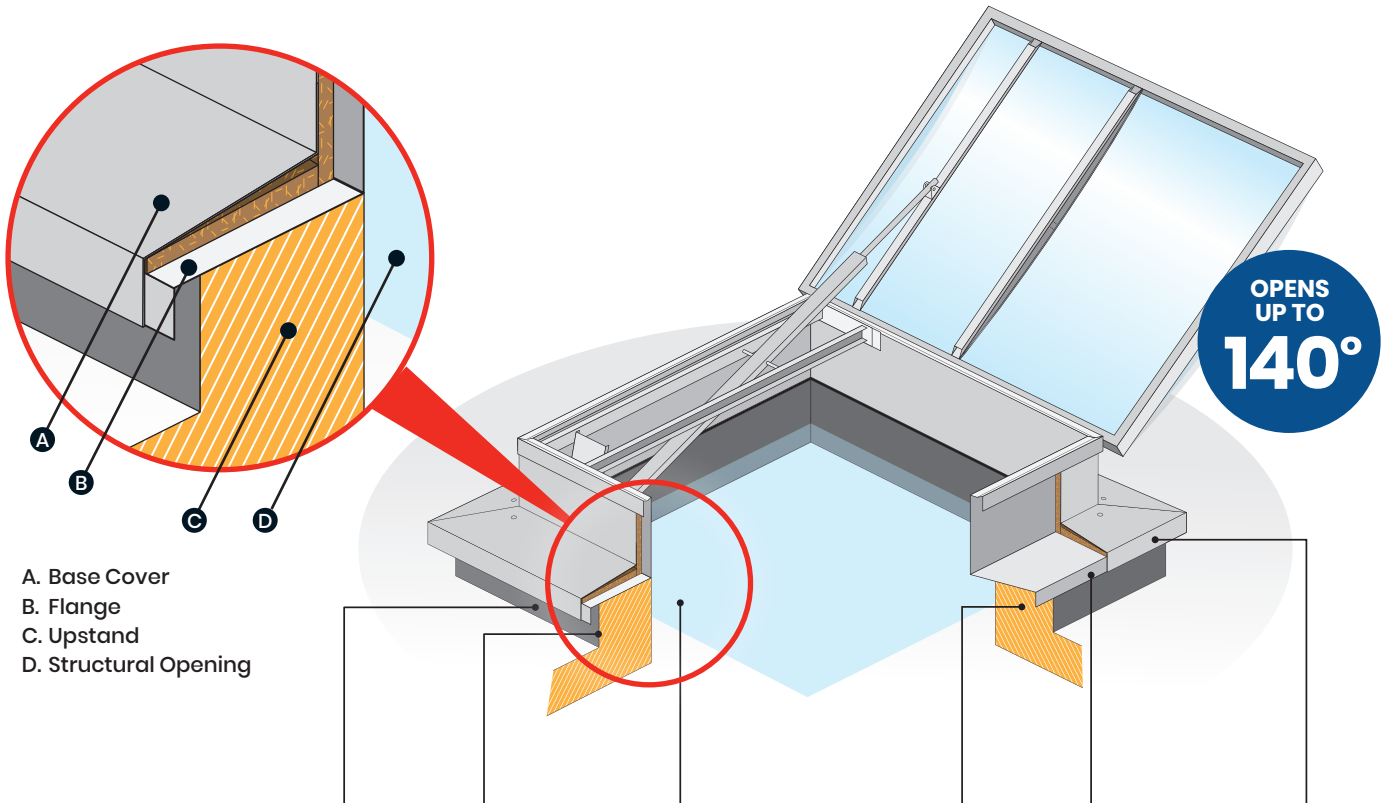
Paint finish options: Standard RAL colours

* Base options may affect technical data stated

Flange Options

The flange extrusion dimension along each edge, and the profile of the steel flange can be customised to suit non standard installations and roofing types.





- A. Base Cover
- B. Flange
- C. Upstand
- D. Structural Opening

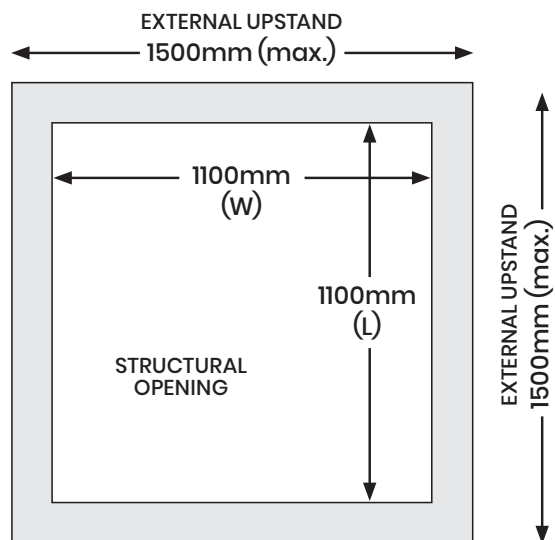
STANDARD SIZE	Upstand Outer (max.)	Upstand Height	Structural Opening	Upstand Thickness (all round)	*Flange Outer	Base Cover Outer
1.06m ² GFA	1500mm(W) x 1500mm(L)	150mm (min.)	1100mm (W) x 1100mm (L)	200mm (max.)	1560mm (W) x 1560mm (L)	1566mm (W) x 1566mm (L)

*The standard Ventec Ostro Access has a 230mm flange width

Upstand Requirements

A finished weather resistant upstand is required to accommodate a Ventec Ostro Access roof vent.

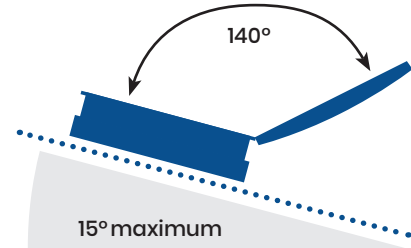
For a standard size Ventec Ostro Access, see upstand dimensions (right).



Pitched Roof Installation

If installing a Ventec Ostro Access on a pitched roof, the hinges should be positioned at the lowest point. The maximum angle for installation is 15°.

For orders of non-standard sizes and/or lid options please confirm installation angle suitability with your Vent representative.



Environmental Ventilation

The Ventec Ostro Access can be used as an environmental ventilation option, but it is not recommended in areas prone to high winds. For environmental ventilation we recommend the opening measurement does not exceed 100mm.



Product Codes

Ventec Ostro Access 1.06m² GFA 1100 x 1100mm RVME-PRO-OSTR-0001

Non-standard size, base insulation and lid options available on request.



Regular testing and record-keeping by authorised, responsible persons.



...by “Accredited” and “certified smoke vent engineers only”

*REFERENCE: DAME JUDITH HACKITT REPORT



Related Products and Services

The following should also be considered when planning your system.



400 SERIES
BATTERY BACKUP



VENTEC 500-CB
COMPATIBLE



VENTEC 1000-G
COMPATIBLE



INSTALLATION
& MAINTENANCE



PROJECT
COMMISSIONING