

ROOF VENT



**24 HR** NEXT DAY  
DESPATCH

✓ **SMOKE**  
VENTILATION

✓ **ENVIRO**  
VENTILATION

✓ **24V**  
POWER INPUT

✓ **400 Series**  
COMPATIBLE

✓ **500-CB**  
COMPATIBLE

✓ **1000-G**  
COMPATIBLE

✓ **140°**  
OPENING

✓ **0-15°**  
ROOF PITCH

## About This Product

Ventec Ostro automatic smoke vents are a 140° opening single-leaf type designed with the primary function of dispersing smoke and heat from inside buildings to the outside. They are ideal for installation in stairwell or corridor applications. Our standard sizes achieve 1.06m<sup>2</sup> or 1.51m<sup>2</sup> GFA.

## Product Highlights

- Straight base with height of 200mm made of 1.25mm thick galvanized steel
- Centrally mounted 24Vdc actuator
- Turn down flange to suit a 150mm high (min.) upstand. Weathering by others

## Compliance

- BS EN12101-2 Certified
- Approved Document L

Standard Sizes – In Stock			
Structural Opening (W x L)	GFA	Aa	Current
1100mm x 1100mm	1.06m <sup>2</sup>	0.74m <sup>2</sup>	1.6 amps
1100mm x 1500mm	1.51m <sup>2</sup>	0.96m <sup>2</sup>	2.0 amps

Non-standard sizes are available to fit most structural opening dimensions.

## Technical Data (standard sizes)

	Ventec Ostro 1.06m <sup>2</sup> GFA	Ventec Ostro 1.51m <sup>2</sup> GFA
Structural Opening	1100mm (W) x 1100mm (L)	1100mm (W) x 1500mm (L)
Maximum Opening Angle	140°	140°
Overall Unit Thermal Transmission	U-Value 2.92 (W/m <sup>2</sup> K)	U-Value 2.86 (W/m <sup>2</sup> K)
Operating Voltage	24Vdc	24Vdc
Geometric Free Area	1.06m <sup>2</sup>	1.51m <sup>2</sup>
Aerodynamic Free Area	0.74m <sup>2</sup>	0.96m <sup>2</sup>
Snow Load	SL 250	SL 250
Wind Load	WL 1500	WL 1500
Operating Temp. Low	Resistance to -25°C	Resistance to -25°C
Resistance Temp. High	B 300 resistance to 300°C	B 300 resistance to 300°C
Operational Reliability	Re 50	Re 50
Dual Purpose Reliability	Re 10000	Re 10000
Current Consumption	1.6 amps	2.0 amps
Opening Time	< 60 seconds	< 60 seconds
Base Material	1.25mm galvanised steel	1.25mm galvanised steel
Base Insulation	30mm PIR panel	30mm PIR panel
Base Height	200mm	200mm
Flange Width	230mm	230mm
Flange Drip Cap	50mm	50mm
Weight	100 kg	120 kg
Lid Material	Multi-chamber polycarbonate (opal) 10mm	Multi-chamber polycarbonate (opal) 10mm
No. of Cable Cores	2 Core + Earth	2 Core + Earth

Vent Engineering advises that the design, supply, and installation of all electrical wiring be carried out in accordance with current standards.

## Environmental Ventilation

The Ventec Ostro can be used as an environmental ventilation option, but it is not recommended in areas prone to high winds. For environmental ventilation we recommend the opening measurement does not exceed 100mm.



## Lid Options\*

MULTI-CHAMBER POLYCARBONATE	
<b>STANDARD LID – Opal 10mm</b>	Clear 10mm
Opal 16mm	Clear 16mm
Opal 20mm	Clear 20mm
Opal 25mm	Clear 25mm
MULTI-CHAMBER POLYCARBONATE (as above) + DOME	
Multi-chamber polycarbonate + single-layer dome in PC or PMMA**	
Multi-chamber polycarbonate + double-layer dome in PC or PMMA	
SANDWICH PANEL	
Aluminium + XPS insulation 20mm + Aluminium	
Aluminium + XPS insulation 40mm + Aluminium	

\* Lid options may affect technical data stated

\*\* PC = Solid Polycarbonate, PMMA = Acrylic

Other options available on request

## Base Options\*

The thermal insulation type and thickness can be adjusted to individual requirements.

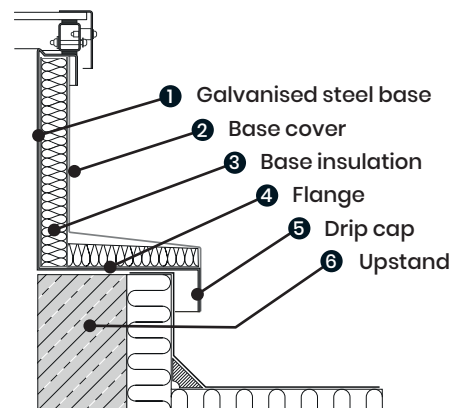
Available with wind deflector and inlet deflector (non-standard).

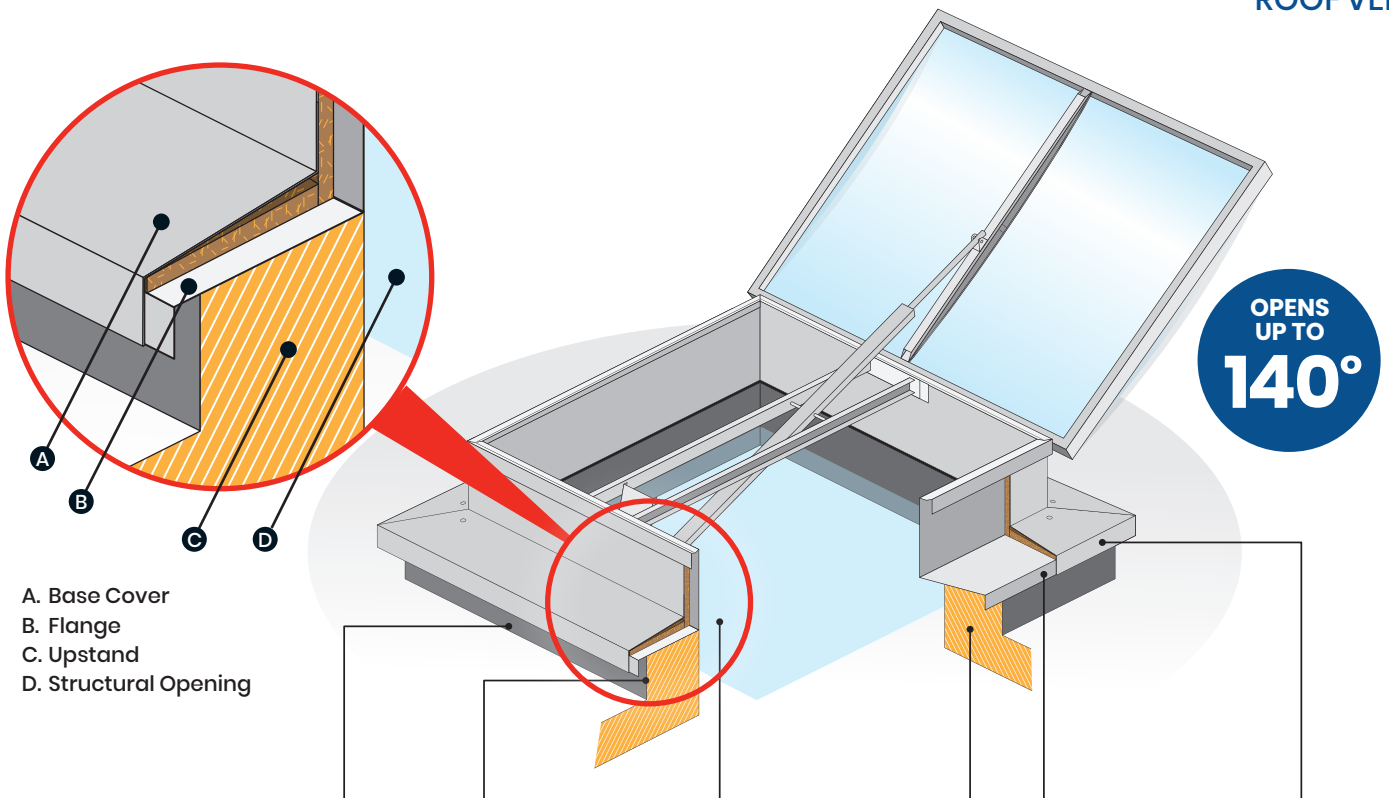
<b>STANDARD BASE INSULATION – 30mm PIR Panel</b>
insulation options: Up to 40mm mineral wool or PIR Panel
<b>STANDARD BASE FINISH – Unpainted</b>
Paint finish options: Standard RAL colours

\* Base options may affect technical data stated

## Flange Options

The flange extrusion dimension along each edge, and the profile of the steel flange can be customised to suit non standard installations and roofing types.





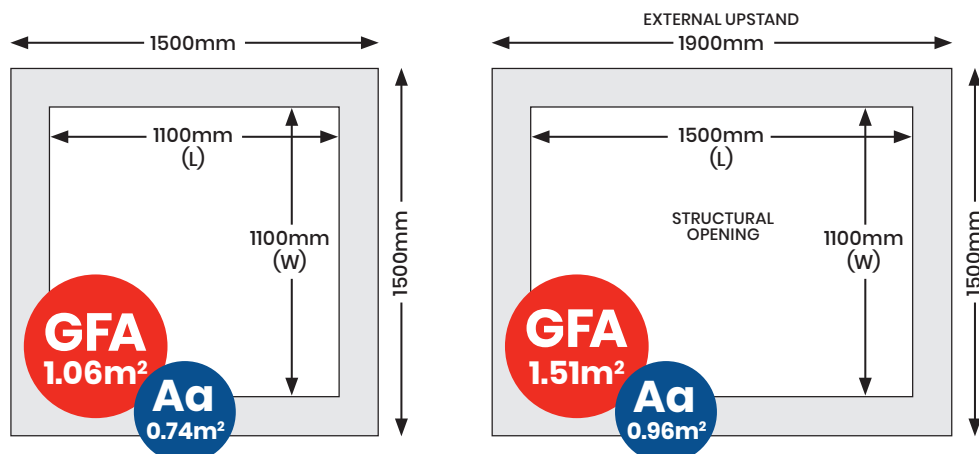
- A. Base Cover
- B. Flange
- C. Upstand
- D. Structural Opening

STANDARD SIZES	Upstand Outer (max.)	Upstand Height	Structural Opening	Upstand Thickness (all round)	*Flange Outer	Base Cover Outer
1.06m <sup>2</sup> GFA	1500mm(W) x 1500mm(L)	150mm (min.)	1100mm (W) x 1100mm (L)	200mm (max.)	1560mm (W) x 1560mm (L)	1566mm (W) x 1566mm (L)
1.51m <sup>2</sup> GFA	1500mm(W) x 1900mm(L)	150mm (min.)	1100mm (W) x 1500mm (L)	200mm (max.)	1560mm (W) x 1960mm (L)	1566mm (W) x 1966mm (L)

\*Both standard Ventec Ostro sizes have a 230mm flange width all round

## Upstand Requirements

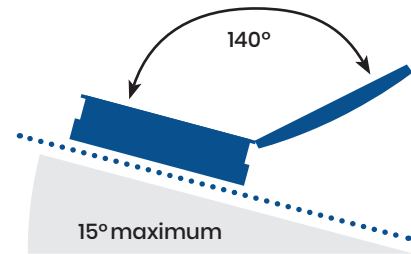
A finished upstand is required to accommodate a Ventec Ostro roof vent. Weathering by others.



## Pitched Roof Installation

If installing a Ventec Ostro on a pitched roof, the hinges should be positioned at the lowest point. The maximum angle for installation is 15°. This is suitable for the standard 1.06m<sup>2</sup> GFA and 1.51m<sup>2</sup> GFA Ostro.

For orders of non-standard sizes and/or lid options please confirm installation angle suitability with your Vent representative.



## Product Codes

Ventec Ostro	1.06m <sup>2</sup> GFA	1100 x 1100mm structural opening	RVME-PRO-OSTR-0003
Ventec Ostro	1.51m <sup>2</sup> GFA	1100 x 1500mm structural opening	RVME-PRO-OSTR-0002

Non-standard base, lid and size options available on request



Regular testing and record-keeping by authorised, responsible persons.



...by “Accredited” and “certified smoke vent engineers only”

\*REFERENCE:  
DAME JUDITH HACKITT REPORT



## Related Products and Services

The following should also be considered when planning your system.



400 SERIES  
BATTERY BACKUP



VENTEC 500-CB  
COMPATIBLE



VENTEC 1000-G  
COMPATIBLE



INSTALLATION  
& MAINTENANCE



PROJECT  
COMMISSIONING